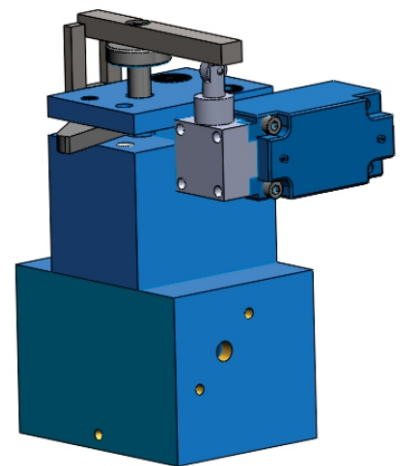




# Mechanical Overspeed Device



# MECHANICAL OVERSPEED DEVICE

## GENERAL INFORMATION

The mechanical overspeed device is an independent protection device that includes a hydraulic shutdown valve, which overrides the turbine actuator's control valve and forces the turbine servomotor to close at its maximum rate. The mechanical overspeed device includes a centrifugal pendulum that is mounted on the rotating equipment and a stationary trigger device. In the event the turbine speed reaches the adjusted overspeed value, the pendulum will hit the trigger on the stationary device causing the unit to safely shut down.

## SPECIFICATIONS

SPECIFICATION	DMS	H	L	3/8"	NPT	P
<b>MODEL</b> DMS						
<b>TYPE</b> H – HYDRAULIC E – ELECTRICAL						
<b>ELECTRICAL SIGNAL</b> P – PRESSURE SWITCH C – LIMIT SWITCH						
<b>CONNECTION</b> 3/8" (for other options please consult REIVAX)						
<b>THREAD TYPE</b> BSP NPT						
<b>MECHANICAL OPERATION</b> P – Includes centrifugal overspeed pendulum						

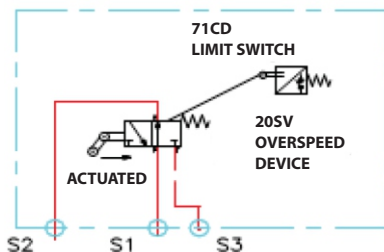
## TYPE

### ■ Electrical Contact

An electrical contact closes upon activation allowing the tripping of the 86M lock-out relay

### ■ Hydraulic Type

A hydraulic valve is activated, which forces the shut down valve to close the servomotor at its maximum rate. An electrical contact is also provided for use with the 86M lock-out relay.



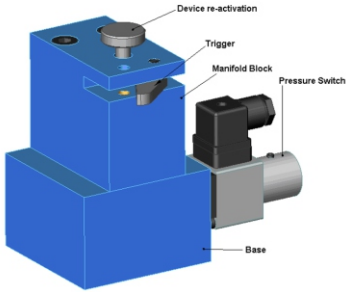
Mechanical Characteristics	Data
Maximum Pressure	7,250psi (500bar)
Minimum Temperature	-34°C
Maximum Temperature	100 °C
Electrical Characteristics	Data
Maximum Voltage	400V
Maximum Current	6A



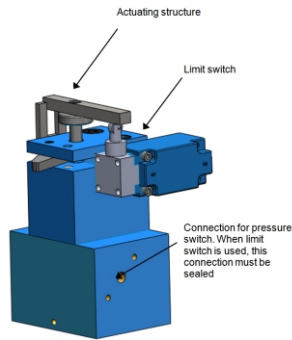
# STATIONARY DEVICE - MODELS

## Mechanical Overspeed Switch Device

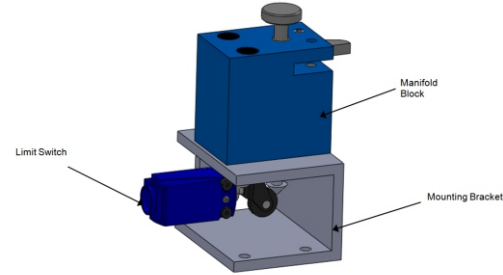
■ Hydraulic type actuating device (with Pressure Switch)



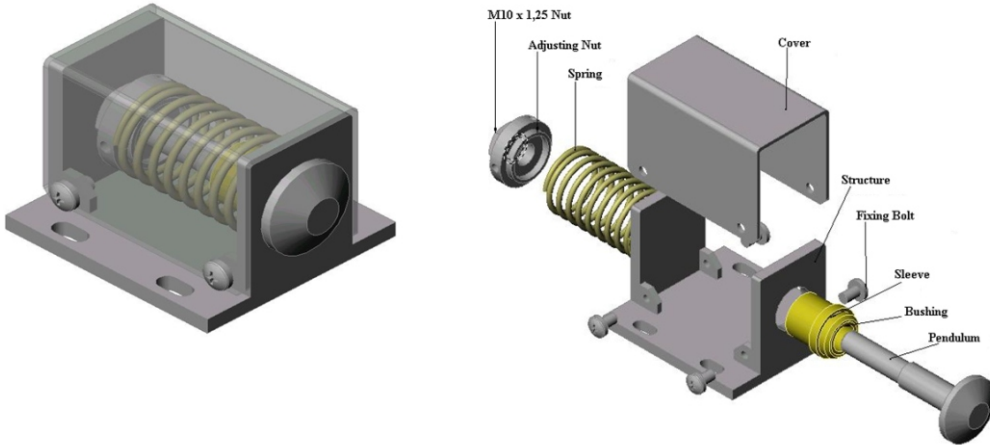
■ Hydraulic type actuating device (and electrical Limit Switch)



■ Electrical contact type device (electrical contact only)

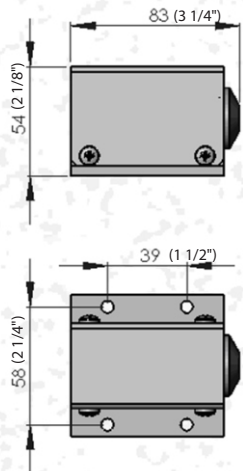


## OVERSPEED CENTRIFUGAL PENDULUM

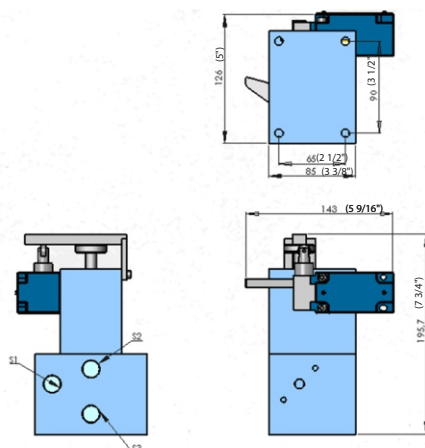


## DIMENSIONS (mm)

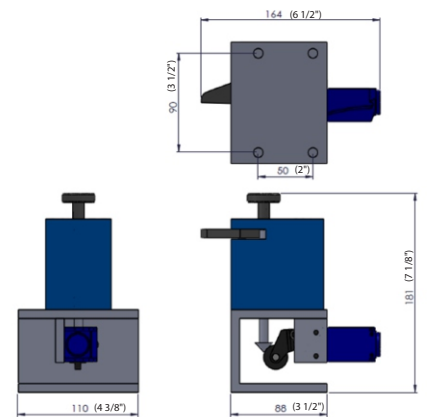
Centrifugal Pendulum



Hydraulic type device

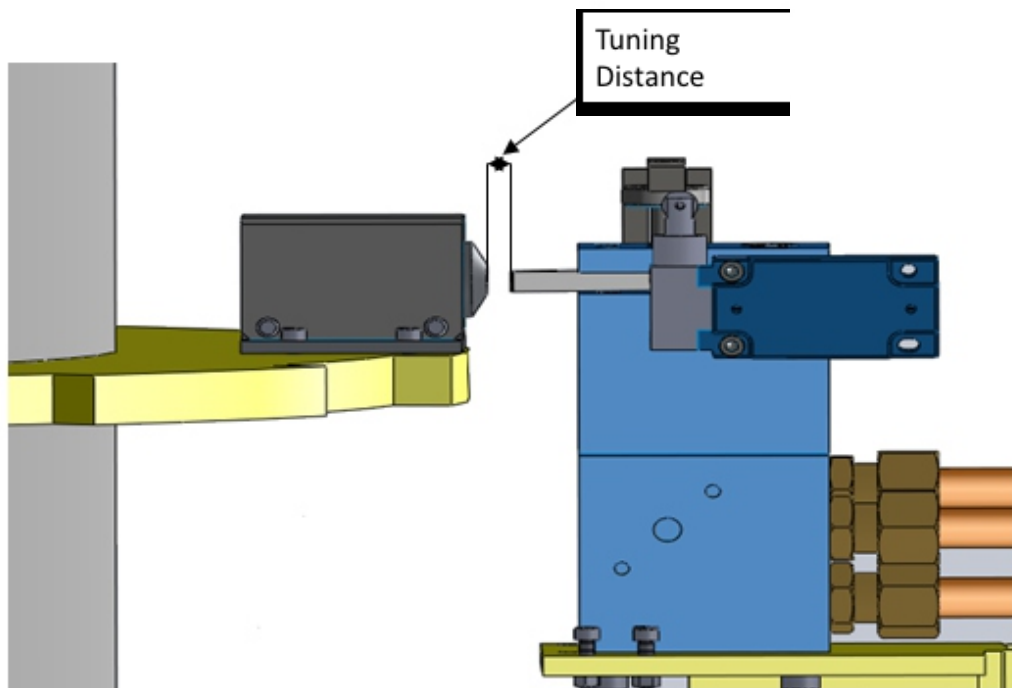


Electrical contact device



## INSTALLATION

---



The mechanical overspeed is adjusted and tested according to the customer requirements.